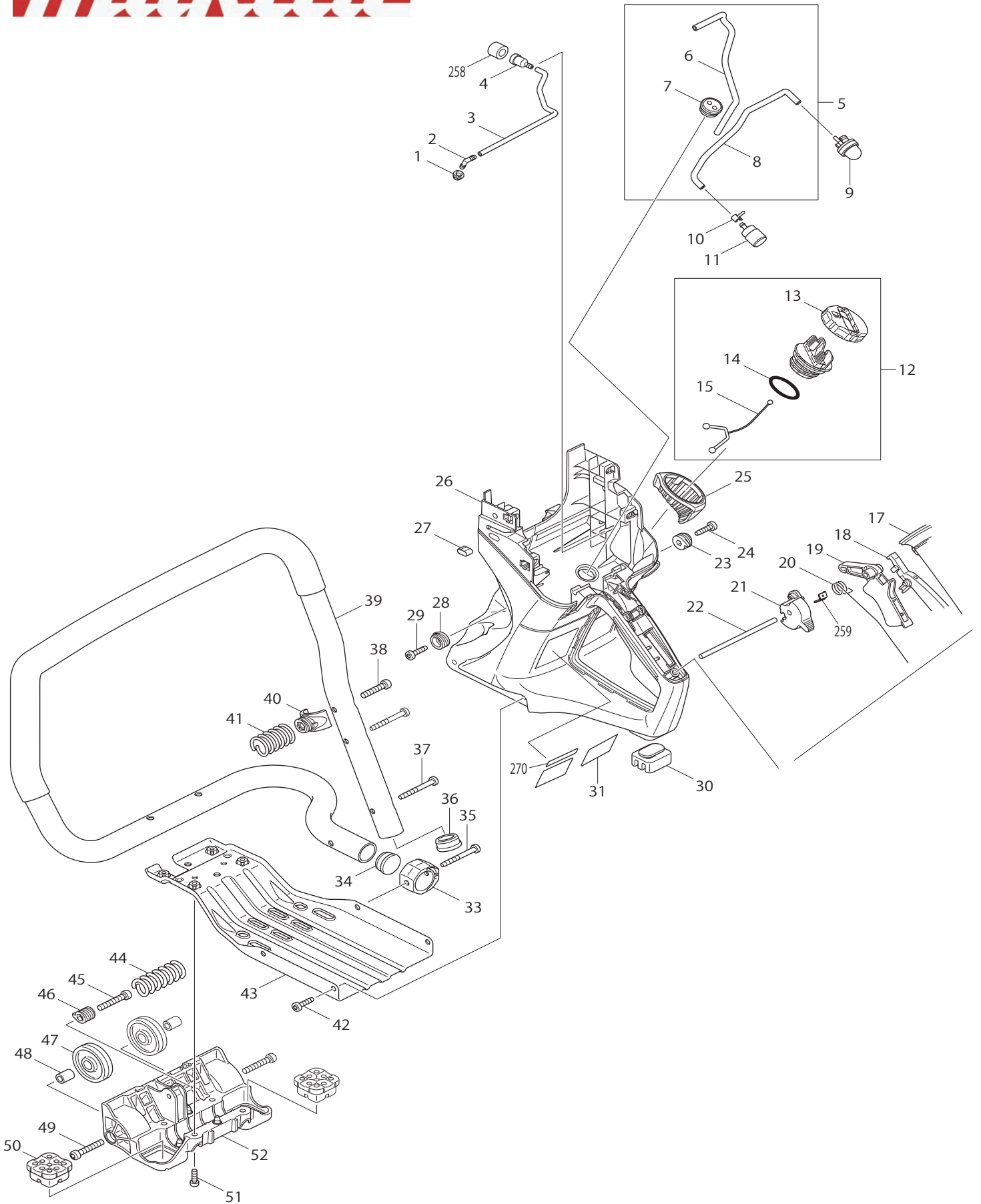
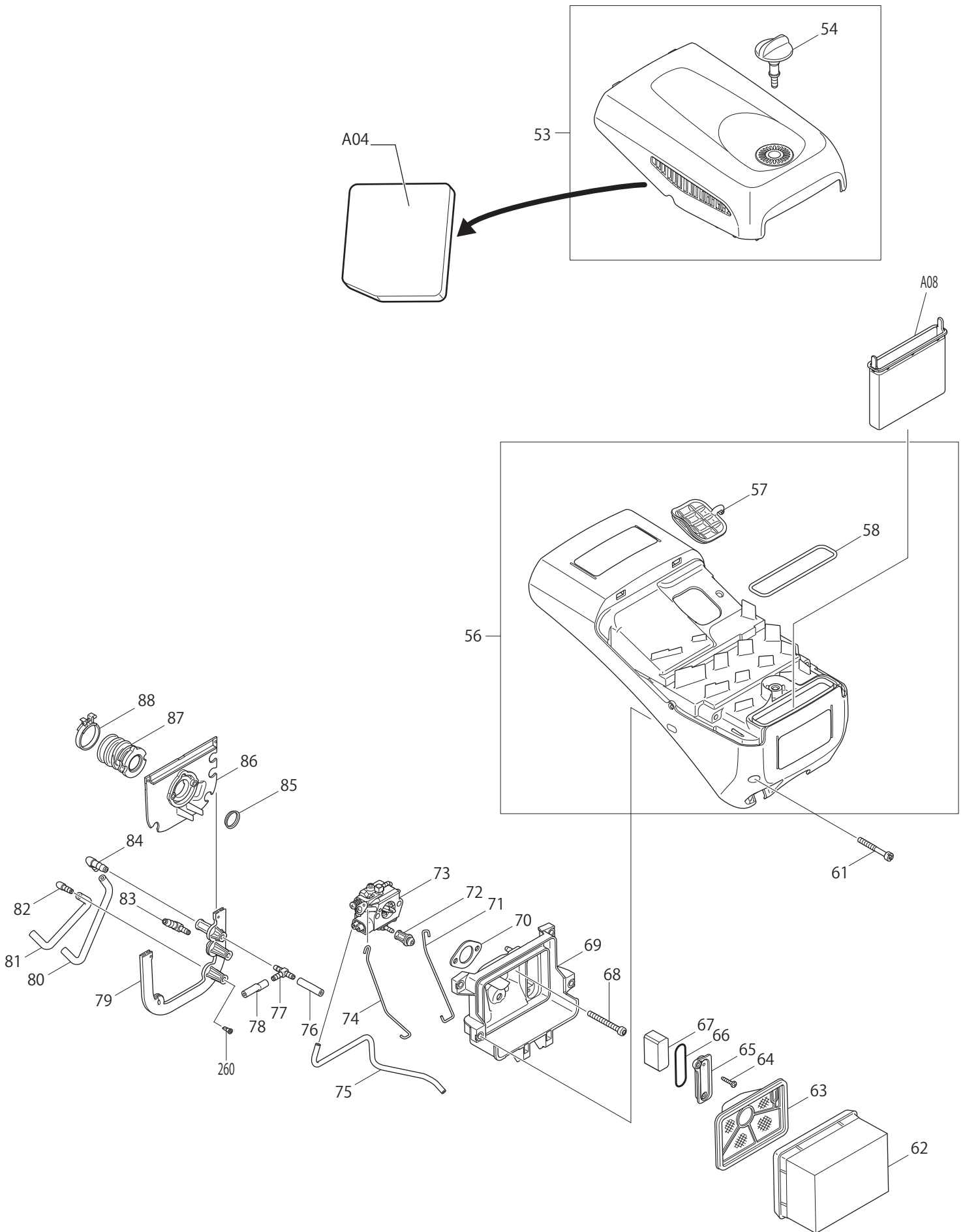
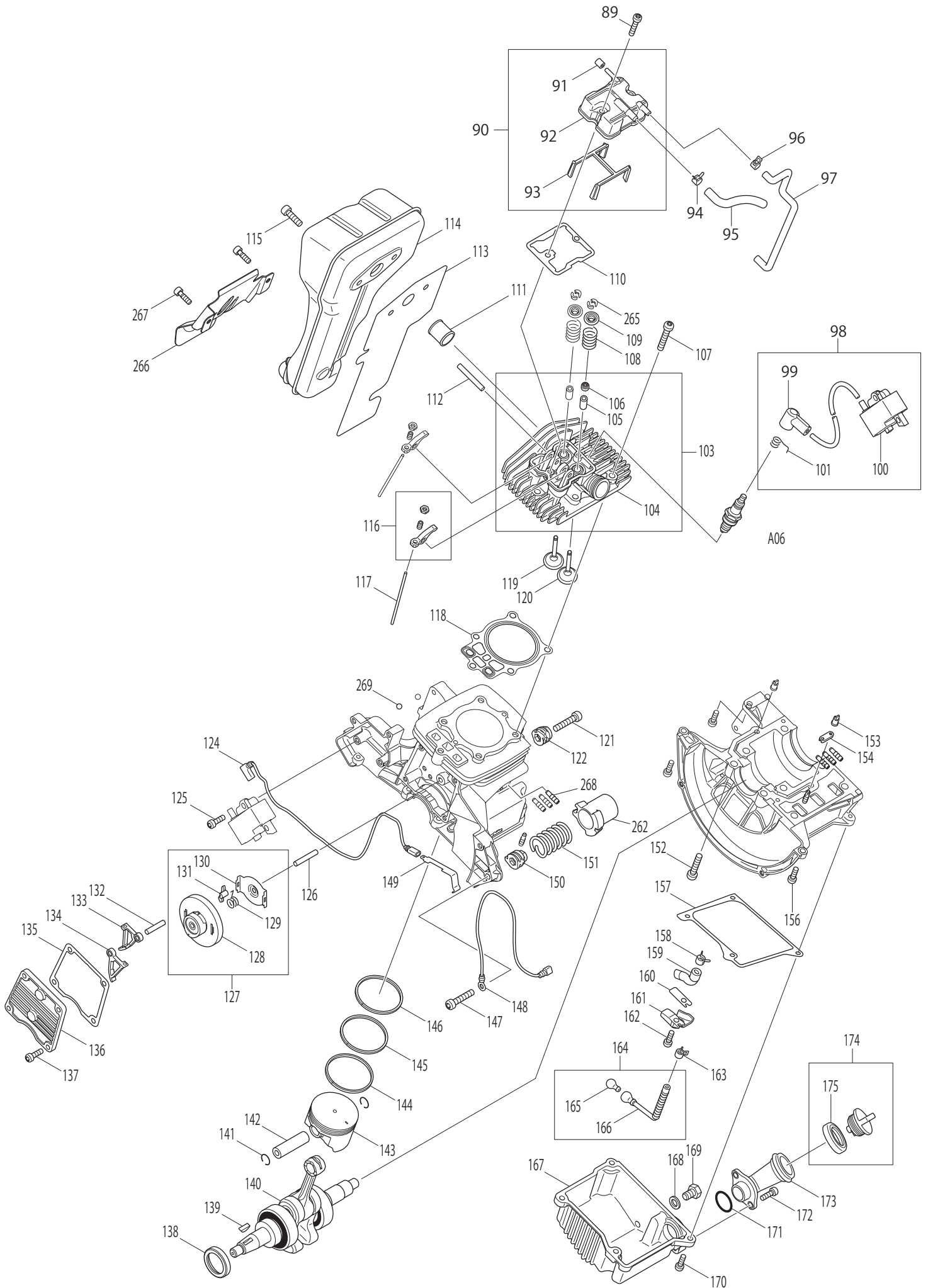




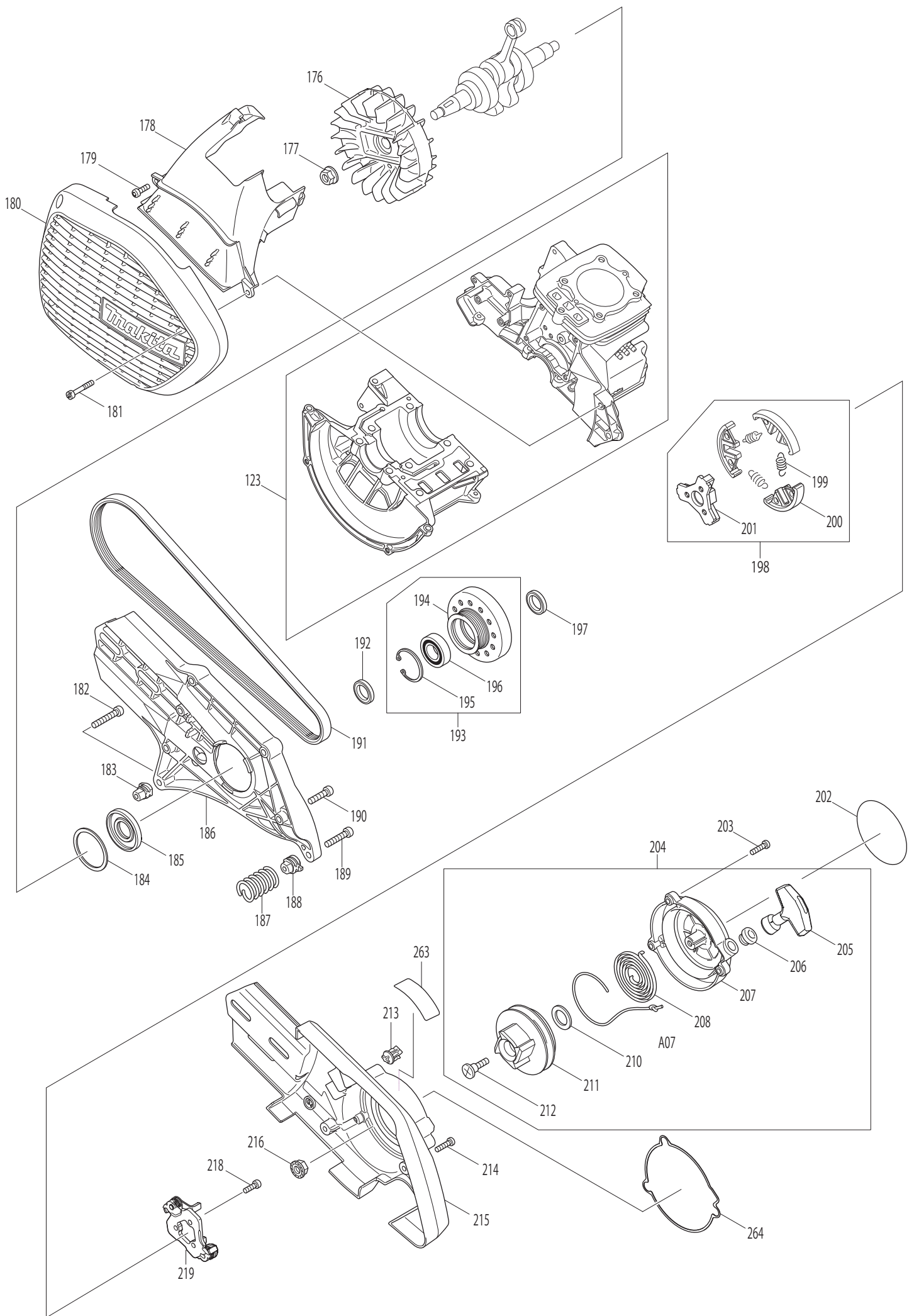
12 - 2012
EK7651H, EK7651HD
4 STRK POWER CUTTER 14"



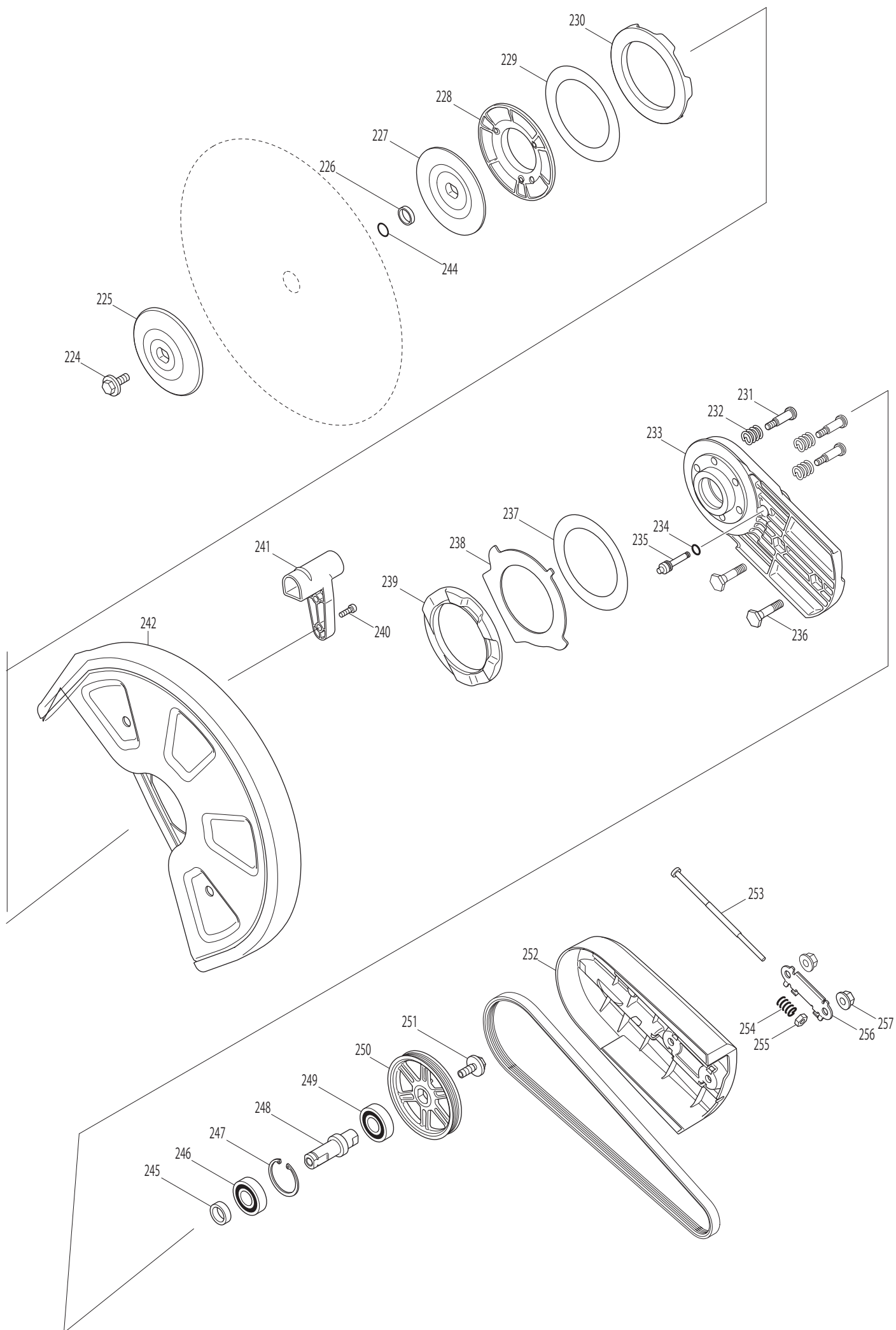




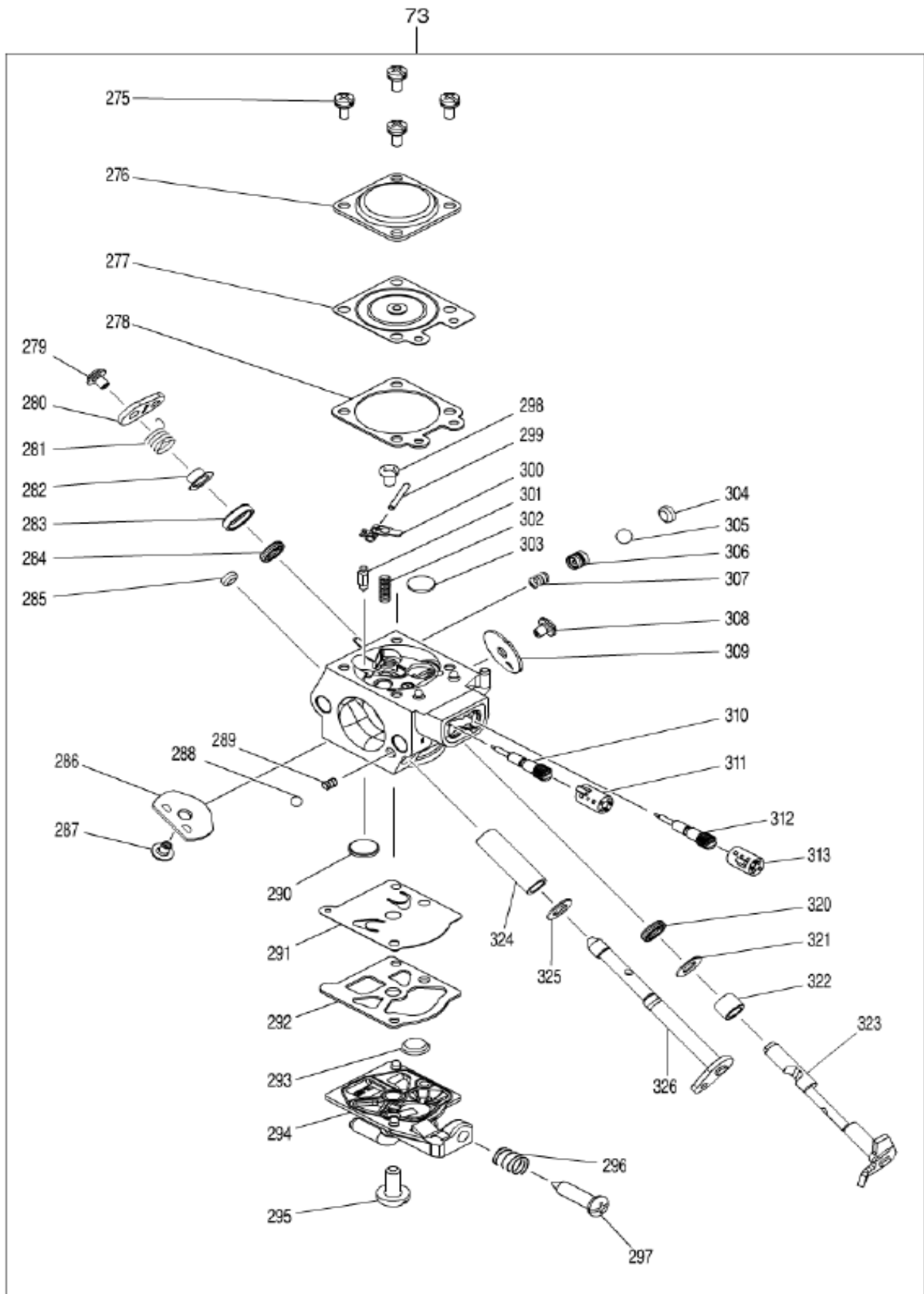
3 MODEL EK7651H, EK7651HD



4 MODEL EK7651H, EK7651HD



5 MODEL EK7651H, EK7651HD



Item No	Type	Ref	Part No	Description	Qty	Unit
001			421875-8	GROMMET	1	PC.
002			452800-8	HOSE JOINT 4-4	1	PC.
003			422083-4	TUBE 3-190	1	PC.
004			168396-6	BREATHER	1	PC.
005			168654-0	TUBE COMPLETE	1	PC.
		INC.		ITEM 6-8		
006			422074-5	TUBE 3-120	1	PC.
007			424101-4	GROMMET	1	PC.
008	2		422108-4	TUBE L	1	PC.
009			168398-2	PRIMER PUMP	1	PC.
010			324616-0	HOSE CLAMP	1	PC.
011	2		163447-0	FUEL FILTER	1	PC.
012			140831-6	TANK CAP COMPLETE	1	PC.
		INC.		ITEM 13-15		
013			452697-5	TANK CAP KNOB	1	PC.
014	2		213831-0	O RING 29.5	1	PC.
015			450957-9	STRAP	1	PC.
016			266475-5	TAPPING SCREW TORX 5.5X20	1	PC.
017			452736-1	GRIP COVER	1	PC.
018			452722-2	LOCK OFF LEVER	1	PC.
019			452721-4	THROTTLE LEVER	1	PC.
020			233590-0	TORSION SPRING 12	1	PC.
021			452723-0	SWITCH LEVER	1	PC.
022			256520-4	ROD 5	1	PC.
023			452742-6	REAR INNER HOLDER	1	PC.
024			266475-5	TAPPING SCREW TORX 5.5X20	1	PC.
025			424408-8	TANK GUARD	1	PC.
026			140774-2	TANK COMPLETE	1	PC.
		INC.	898274-3	INDICATION LABEL	1	PC.
		INC.	264066-6	SQUARE NUT M5-10 (Added)	4	PC.
027			424583-0	PLUG	1	PC.
028			452742-6	REAR INNER HOLDER	1	PC.
029			266475-5	TAPPING SCREW TORX 5.5X20	1	PC.
030			424404-6	REAR FOOT	1	PC.
031	2		850G00-0	EK7651H NAME PLATE	1	PC.
033			452737-9	CLAMP	1	PC.
034			424410-1	RUBBER CAP	1	PC.
035			266687-0	TAPPING SCREW 5.5X45	1	PC.
036			424410-1	RUBBER CAP	1	PC.
037			266687-0	TAPPING SCREW 5.5X45	2	PC.
038			266659-5	TORX SOCKET HEAD BOLT M6X30	1	PC.
039			331940-4	FRONT HANDLE	1	PC.
040			452741-8	CENTER OUTER HOLDER	1	PC.
041			234214-1	COMPRESSION SPRING 16	1	PC.
042			266475-5	TAPPING SCREW TORX 5.5X20	3	PC.
043			346433-8	BOTTOM PLATE	1	PC.
044			234213-3	COMPRESSION SPRING 13	1	PC.
045			266659-5	TORX SOCKET HEAD BOLT M6X30	1	PC.
046			452740-0	FRONT INNER HOLDER	1	PC.
047			318727-1	ROLLER 45	2	PC.
048			257972-2	SLEEVE 6.5	2	PC.
049			266660-0	TORX SOCKET HEAD BOLT M6X35	2	PC.
050			424405-4	FRONT FOOT	2	PC.
051	2		266849-0	TORX SOCKET HEAD BOLT M5X16	4	PC.
052			318712-4	GUARD	1	PC.
053			140903-7	TOP COVER COMPLETE	1	PC.
		INC.		ITEM 54		
054			266692-7	THUMB SCREW M6X15	1	PC.

Item No	Type	Ref	Part No	Description	Qty	Unit
056	2		142877-8	FILTER COVER COMPLETE	1	PC.
		INC.	800A37-1	CAUTION LABEL, EN/FR/SP	1	PC.
		INC.	805B39-8	CAUTION LABEL, EN/FR/SP	1	PC.
		INC.	805B40-3	CAUTION LABEL, EN/FR/SP	1	PC.
		INC.		ITEM 57,58		
057			424409-6	PLUG COVER	1	PC.
058			424417-7	PACKING	1	PC.
061			266656-1	TORX SOCKET HEAD BOLT M5X40	4	PC.
062			442165-6	AIR FILTER	1	PC.
063			424399-3	INNER FILTER	1	PC.
064			266127-8	+ TAPPING SCREW PT 3X20	2	PC.
065			452739-5	SEPARATER COVER	1	PC.
066			213459-4	O RING 32	1	PC.
067			352012-2	SEPARATOR MESH	1	PC.
068			266657-9	TORX SOCKET HEAD BOLT M5X45	2	PC.
069			452720-6	FILTER BRACKET	1	PC.
070			442166-4	CARBURATOR GASKET	1	PC.
071			326040-3	THROTTLE LINKAGE	1	PC.
072			424407-0	RUBBER JOINT	1	PC.
073			168815-2	CARBURETOR	1	PC.
		INC.		Item No. 275-293,296-310,312, 320-326		
074			326041-1	CHOKE LINKAGE	1	PC.
075			422077-9	TUBE 3-190	1	PC.
076			422080-0	TUBE 3-35	1	PC.
077			452952-5	HOSE JOINT	1	PC.
078			422079-5	TUBE 3-45	1	PC.
079			424418-5	SEAL	1	PC.
080			422082-6	TUBE 3-130	1	PC.
081			422081-8	TUBE 3-75	1	PC.
082			452951-7	HOSE JOINT 4-4	1	PC.
083			452799-7	HOSE JOINT 4-6	1	PC.
084			452799-7	HOSE JOINT 4-6	1	PC.
085			346397-6	GUIDE RING	1	PC.
086			452724-8	CARBURETOR MOUNT	1	PC.
087			424397-7	SUCTION LINE	1	PC.
088			346495-6	HOSE CLAMP 30	1	PC.
089	2		266852-1	TORX SOCKET HEAD BOLT M5X25	2	PC.
090			140898-4	ROCKER COVER COMPLETE	1	PC.
		INC.		ITEM 91-93		
091			422073-7	TUBE 3-8	1	PC.
092			318708-5	ROCKER COVER	1	PC.
093			452726-4	OIL LINE	1	PC.
094			345918-1	HOSE CLAMP	1	PC.
095			422078-7	TUBE 5-70	1	PC.
096			345918-1	HOSE CLAMP	1	PC.
097			422076-1	TUBE 3-170	1	PC.
098			126006-1	IGNITION COIL ASSEMBLY	1	PC.
		INC.		ITEM 99-101		
099			424105-6	PLUG CAP	1	PC.
100			125920-8	IGNITION COIL	1	PC.
101			326148-3	PLUG CAP SPRING	1	PC.
103	3		135785-0	* CYLINDER HEAD ASSEMBLY	1	PC.
		INC.		* ITEM NO. 104-106,108,109,112,116,119,120,265		
104	1		140928-1	* CYLINDER HEAD COMPLETE	1	PC.
	2		144051-4	* CYLINDER HEAD COMPLETE	1	PC.
105			331969-0	VALVE GUIDE	2	PC.
106			424424-0	VALVE STEM SEAL	1	PC.
107			266660-0	TORX SOCKET HEAD BOLT M6X35	5	PC.

Item No	Type	Ref	Part No	Description	Qty	Unit
108			234212-5	COMPRESSION SPRING 11	2	PC.
109			331966-6	RETAINER	2	PC.
110	1		346400-3	* ROCKER COVER GASKET	1	PC.
	2		161301-2	* ROCKER COVER GASKET	1	PC.
111			331937-3	EXHAUST PORT SPACER	1	PC.
112	2		268310-3	PIN 5	1	PC.
113			346399-2	MUFFLER GASKET	1	PC.
114			168638-8	EXHAUST MUFFLER	1	PC.
115			266693-5	TORX SOCKET HEAD BOLT M6X18	3	PC.
116			126005-3	ROCKER ARM ASSEMBLY	2	PC.
117			256526-2	PUSH ROD	2	PC.
118			442167-2	CYLINDER HEAD GASKET	1	PC.
119			331965-8	EXHAUST VALVE	1	PC.
120			331964-0	INTAKE VALVE	1	PC.
121			266659-5	TORX SOCKET HEAD BOLT M6X30	1	PC.
122			318729-7	CENTER INNER HOLDER	1	PC.
123	2		123578-7	ENGINE BLOCK ASSEMBLY (N/A)	1	PC.
		INC.	140901-1	CYLINDER BLOCK COMPLETE	1	PC.
		INC.		Item No. 89, 90, 103, 107, 110, 117, 118, 126, 127, 132-138, 140-146		
124			638776-5	LEAD UNIT	1	PC.
125	2		266849-0	TORX SOCKET HEAD BOLT M5X16	2	PC.
126			256200-2	PIN 5	1	PC.
127	2		123299-1	CAM GEAR ASSEMBLY	1	PC.
		INC.		ITEM NO. 128-131		
128			140817-0	CAM GEAR COMPLETE	1	PC.
129	2		233623-1	TORSION SPRING 9	1	PC.
130			346434-6	CAM GEAR PLATE	1	PC.
131			318707-7	FLY WEIGHT	1	PC.
132			256186-0	PIN 5	1	PC.
133			313209-8	CAM LIFTER L	1	PC.
134			313210-3	CAM LIFTER R	1	PC.
135			442168-0	CAM GEAR GASKET	1	PC.
136			318725-5	CAM GEAR COVER	1	PC.
137	2		266849-0	TORX SOCKET HEAD BOLT M5X16	4	PC.
138	2		213091-4	OIL SEAL 17	1	PC.
139			254001-2	WOODRUFF KEY 4	1	PC.
140			140900-3	CRANKSHAFT COMPLETE	1	PC.
141			233995-4	RING SPRING 12	2	PC.
142			326039-8	PISTON PIN	1	PC.
143	1		318726-3	PISTON	1	PC.
143	2		197457-5	PISTON SET	1	PC.
		INC.	318726-3	PISTON	1	PC.
		INC.		Item No. 141, 144		
144	1		257332-8	SECOND RING (N/L/A individually)	1	PC.
	2		197458-3	ACCESSORY SET	1	PC.
		INC.		Item No. 145, 146		
145			257333-6	OIL RING (N/L/A individually - USE 197458-3)	1	PC.
146			257331-0	TOP RING (N/L/A individually - USE 197458-3)	1	PC.
147			266659-5	TORX SOCKET HEAD BOLT M6X30	1	PC.
148			638777-3	LEAD UNIT	1	PC.
149			232268-2	CONTACT SPRING	1	PC.
150			318730-2	REAR OUTER HOLDER	1	PC.
151			234214-1	COMPRESSION SPRING 16	1	PC.
152			266659-5	TORX SOCKET HEAD BOLT M6X30	8	PC.
153			424201-0	CHECK VALVE	2	PC.
154			424406-2	GROMMET	1	PC.
156	2		266849-0	TORX SOCKET HEAD BOLT M5X16	3	PC.
157			452738-7	OIL CASE GASKET	1	PC.

Item No	Type	Ref	Part No	Description	Qty	Unit
158			345918-1	HOSE CLAMP	1	PC.
159			422084-2	TUBE 5-55	1	PC.
160			346398-4	LEAD VALVE	1	PC.
161			318709-3	RETAINER PLATE	1	PC.
162	2		266849-0	TORX SOCKET HEAD BOLT M5X16	1	PC.
163			345918-1	HOSE CLAMP	1	PC.
164			168655-8	OIL TUBE COMPLETE	1	PC.
		INC.		ITEM 165,166		
165			326177-6	OIL WEIGHT	1	PC.
166			424384-6	OIL TUBE	1	PC.
167			318710-8	OIL CASE	1	PC.
168			346452-4	GASKET	1	PC.
169			921412-3	HEX. BOLT M8X12	1	PC.
170	2		266849-0	TORX SOCKET HEAD BOLT M5X16	4	PC.
171			213548-5	O-RING 20	1	PC.
172			266862-8	TORXS.H. BOLT M5X16 WITH WR	2	PC.
173			452614-5	OIL PIPE	1	PC.
174			140899-2	OIL CAP COMPLETE	1	PC.
		INC.		ITEM 175		
175			424421-6	OIL CAP GASKET	1	PC.
176			318704-3	FLYWHEEL	1	PC.
177			264054-3	FLANGE NUT M10	1	PC.
178			452617-9	CYLINDER COVER	1	PC.
179	2		266849-0	TORX SOCKET HEAD BOLT M5X16	1	PC.
180			452616-1	FAN COVER	1	PC.
181			266655-3	TORX SOCKET HEAD BOLT M5X30	4	PC.
182			266659-5	TORX SOCKET HEAD BOLT M6X30	1	PC.
183			318728-9	FRONT OUTER HOLDER	1	PC.
184			267448-1	FLAT WASHER 41	1	PC.
185	2		213090-6	OIL SEAL(L)	1	PC.
186	1		318711-6	* CUTTING ARM	1	PC.
	2		319234-7	* CUTTING ARM	1	PC.
187			234214-1	COMPRESSION SPRING 16	1	PC.
188			318730-2	REAR OUTER HOLDER	1	PC.
189			266659-5	TORX SOCKET HEAD BOLT M6X30	1	PC.
190			266658-7	TORX SOCKET HEAD BOLT M6X25	5	PC.
191			225094-6	V BELT 5-800	1	PC.
192			331970-5	SPACER17	1	PC.
193			125945-2	CLUTCH DRUM ASSEMBLY	1	PC.
		INC.		ITEM 194-196		
194			165636-3	CLUTCH DRUM	1	PC.
195			962163-9	RETAINING RING R-35	1	PC.
196			210138-5	BALL BEARING 6003LLU	1	PC.
197			331970-5	SPACER17	1	PC.
198	2		168834-8	CLUTCH COMPLETE	1	PC.
		INC.		ITEM 199-201		
199	2		231884-7	TENSION SPRING 6	3	PC.
200			313207-2	CLUTCH SHOE	3	PC.
201			313208-0	CLUTCH HOLDER	1	PC.
202			893121-3	EK7651H MODEL NO.LABEL	1	PC.
203			266792-3	-H.L. SOCKET HEAD BOLT M5X18	3	PC.
204			125919-3	STARTER ASSEMBLY	1	PC.
		INC.		ITEM 205-212		
205	1		424501-8	STARTER KNOB	1	PC.
	2		SG00000060	STARTER KNOB	1	PC.
206			332046-1	ROPE GUIDE	1	PC.
207			452613-7	STARTER CASE	1	PC.
208	1		232262-4	SPIRAL SPRING	1	PC.

Item No	Type	Ref	Part No	Description	Qty	Unit
	2		SG00000014	SPIRAL SPRING	1	PC.
210	2		SG00000061	ROPE STOPPER	1	PC.
211	1		453466-7	REEL	1	PC.
	2		SG00000015	REEL	1	PC.
212	1		266634-1	SET SCREW M6X20	1	PC.
	2		SG00000013	SET SCREW M6X20	1	PC.
213			452930-5	HOLDER	1	PC.
214	3		266851-3	TORX BIND HEAD BOLT M5X20	3	PC.
215	2		455559-6	* CLUTCH COVER	1	PC.
216			264080-2	HEX. LOCK NUT M10-17	1	PC.
218	2		266859-7	TORX SOCKET HEAD BOLT M5X12	3	PC.
219	2		144100-7	RATCHET COMPLETE	1	PC.
		INC.	347089-0	RATCHET	1	PC.
		INC.	347090-5	RATCHET HOLDER	1	PC.
		INC.	251505-5	HEX BOLT M5	1	PC.
		INC.	232333-7	TORSION SPRING 15	1	PC.
224			266690-1	HEX. BOLT M8X25	1	PC.
225	2		224478-5	FLANGE 102	1	PC.
226A			257312-4	RING17 F/EK7651H (Type 1)	1	PC.
227	2		224478-5	FLANGE 102	1	PC.
228			318746-7	PRESSURE RING	1	PC.
229			442169-8	SLIDING DISC	1	PC.
230			424426-6	RUBBER RING(INNER)	1	PC.
231	2		266970-5	TORX SOCKET HEAD COLLAR BOLT M6	3	PC.
232	2		234374-9	COMPRESSION SPRING 8	3	PC.
233			318722-1	CUTTING DEVICE	1	PC.
234			213625-3	O-RING 9	1	PC.
235			326038-0	LOCK SHAFT	1	PC.
236	1		266688-8	HEX. BOLT M8	2	PC.
	2		266969-0	HEX. BOLT M8	2	PC.
237			442169-8	SLIDING DISC	1	PC.
238			346455-8	IMPACT PLATE	1	PC.
239			424427-4	RUBBER RING(OUTER)	1	PC.
240			266725-8	-H.L.SOCKET HEAD BOLT M5X16	2	PC.
241			452938-9	GRIP	1	PC.
242	1		140926-5	HOOD COMPLETE	1	PC.
		INC.	892688-8	CAUTION LABEL	1	PC.
		INC.	893217-0	CAUTION LABEL, FR/SP	1	PC.
	2		142880-9	HOOD COMPLETE	1	PC.
		INC.	805B43-7	CAUTION LABEL	1	PC.
		INC.	805B44-5	CAUTION LABEL, FR/SP	1	PC.
244			213162-7	O RING 14 (Type 1)	1	PC.
245			257971-4	RING 17	2	PC.
246			211281-3	BALL BEARING 6203LLU	1	PC.
247			962157-4	RETAINING RING R-40	1	PC.
248	2		326379-4	SPINDLE 20MM F/EK7651H	1	PC.
249			211281-3	BALL BEARING 6203LLU	1	PC.
250			222174-9	V PULLEY 5-95.8	1	PC.
251			266690-1	HEX. BOLT M8X25	1	PC.
252	2		455936-2	* BELT COVER	1	PC.
253			266691-9	TENSIONING SCREW M6	1	PC.
254			234215-9	COMPRESSION SPRING 6	1	PC.
255			252157-5	SQUARE NUT M6	1	PC.
256			346457-4	PLATE	1	PC.
257	2		264055-1	* COLLARED HEX.NUT M8	2	PC.
258			424023-8	SPONGE SLEEVE 9	1	PC.
259			346554-6	PLATE	1	PC.
260			424316-3	CHECK VALVE	1	PC.

Item No	Type	Ref	Part No	Description	Qty	Unit
262			424499-9	RUBBER SLEEVE 22	1	PC.
263			800E23-6	CAUTION LABEL	1	PC.
264			346611-0	STARTER COVER GASKET	1	PC.
265			331967-4	COTTER	4	PC.
266			346589-7	MUFFLER GUARD	1	PC.
267			266782-6	TORXS. HEAD BOLT M5X16 WITH WG	2	PC.
268			325665-0	JOINT PIPE	4	PC.
269			331897-9	BALL	2	PC.
270	2		850F72-9	SERIAL NO. LABEL	1	PC.
275			WJ00096589	SCREW ASSEMBLY	4	PC.
276			141943-8	METERING COVER ASSEMBLY	1	PC.
277			168620-7	METERING DIAPHRAGM	1	PC.
278			442183-4	METERING DIAPHRAGM GASKET	1	PC.
279			WJ00096475	SCREW	1	PC.
280			WJ00183498	THROTTLE LEVER	1	PC.
281			WJ00983707	SPRING	1	PC.
282			WJ00014886	BUSHING	1	PC.
283			WJ00148545	BUSHING	1	PC.
284			WJ00015631	SEAL-THROTTLE SHAFT	1	PC.
285			WJ00088119	PLUG CAP	1	PC.
286			WJ00343480	VALVE-CHOKE	1	PC.
287			WJ00096475	SCREW	1	PC.
288			5806122220	BALL	1	PC.
289			5806122210	SPRING	1	PC.
290	2		WJ00014070	INLET SCREEN	1	PC.
291			WJ00009589	DIAPHRAGM-PUMP	1	PC.
292	2		WJ00092225	GASKET - PUMP	1	PC.
293			234183-6	CONICAL COMPRESSION SPRING 5-9	1	PC.
296	2		WJ00098217	SPRING	1	PC.
297			WJ00096368	IDLE ADJUST SCREW	1	PC.
298			5016004110	SCREW	1	PC.
299			WJ00014477	PIN-METERING LEVER	1	PC.
300			WJ00016648	LEVER	1	PC.
301			WJ00008282	VALVE-INLET NEEDLE	1	PC.
302			234277-7	COMPRESSION SPRING 3	1	PC.
303			5416036160	PLUG-WELCH	1	PC.
304			WJ00088229	PLUG-CUP	1	PC.
305			WJ00008995	BALL	1	PC.
306			WJ00160580	PISTON ASSEMBLY ACCELERATOR	1	PC.
307			WJ00983164	SPRING	1	PC.
308			WJ00096475	SCREW	1	PC.
309			5806122260	THROTTLE VALVE	1	PC.
310			WJ00025162	LIMITER CAP	1	PC.
312			WJ01023787	NEEDLE	1	PC.
320			WJ01023748	SEAL THROTTLE SHAFT	1	PC.
321			WJ00136194	WASHER	1	PC.
322			WJ00014896	SPACER-THROTTLE LEVER	1	PC.
323			WJ00224273	SHAFT ASSEMBLY-THROTTLE	1	PC.
324			WJ00148542	SLEEVE-CHOKE	1	PC.
325			WJ00136231	WASHER	1	PC.
326			WJ00224210	SHAFT ASSEMBLY-CHOKE	1	PC.
C01			872173-7	CARTON F/EK7651H, EK7651HD	1	PC.
E01			898428-2	CAUTION PLATE	1	PC.
E02			898748-4	CAUTION TAG, 10 LANG	1	PC.
E03			898856-1	CAUTION TAG	1	PC.
E10			819X21-3	GAS EMISSION APPROVAL LABEL 2019	1	PC.

Item No	Type	Ref	Part No	Description	Qty	Unit
<u>ACCESSORIES</u>						
A01			195488-8	TOOL KIT	1	PC.
		INC.	782025-3	TORX WRENCH	1	PC.
		INC.	782236-0	WRENCH 13-16	1	PC.
		INC.	783012-5	SCREWDRIVER	1	PC.
A02			195532-1	OIL BOTTLE SET	1	SET
		INC.	041031-0	ENGINE OIL SL 0.22L - N/A individually	1	PC.
		INC.	452801-6	BOTTLE - N/A individually	1	PC.
		INC.	890509-8	OIL BOTTLE LABEL - N/A individually	1	PC.
A02	Opt.		T-02490	PREM MM4 ENGNE OIL 12/CS	1	PC.
A03			195533-9	WATER SET	1	SET
		INC.	123120-4	COUPLING SLEEVE	1	PC.
		INC.	126068-9	WATER SET PART	1	PC.
		INC.	266707-0	TORX SOCKET HEAD BOLT M5X10	1	PC.
		INC.	452930-5	HOLDER	1	PC.
A04	2		198172-4	* PRE FILTER SET	1	SET
		INC.	424398-5	* PRE FILTER - N/A individually	1	PC.
		INC.	898702-8	* CAUTION LABEL - N/A individually	1	PC.
A05			191686-2	SAFETY GOGGLE	1	PC.
A06			168652-4	SPARK PLUG NGK CMR6H	1	PC.
A07	1		444040-2	STARTER ROPE	1	PC.
	2		SG00000059	STARTER ROPE	1	PC.
A08			166106-5	DUST BAG	1	PC.
A09			394 369 610	GUIDE TROLLEY COM. (DT4000)	1	PC.
A10A			966 141 120	14" CUTTING DISK F/STONE 20MM (F/EK7651H)	1	PC.
A11A	2		966 141 152	14" CUTTING DISK F/STEEL 20MM (F/EK7651H)	1	PC.
A12	1		A-94736	14" DIAMOND 1"/20MM	1	PC.
	2		E-01719	14" DIAMOND 1"/20MM	1	PC.
A13			196588-7	RING SET	1	PC.
A14			980 008 629	FILTER CLEANER/OIL SET	1	PC.
A15	1		T-02836	14" DMND BLADE 3D DUAL 1"/20MM	1	PC.
	2		E-02652	14" DMND BLADE 3D DUAL 1"/20MM	1	PC.
A16			199003-0	ENGINE MAINTENANCE KIT	1	PC.
		INC.	424398-5	PRE FILTER - N/A individually	1	PC.
		INC.	442165-6	AIR FILTER	1	PC.
		INC.	166106-5	DUST BAG	1	PC.
		INC.	168652-4	SPARK PLUG	1	PC.
		INC.	163447-0	FUEL FILTER	1	PC.

SERVICE CHANGES

1. Changes on Cutting Arm etc.

(TI#A5346)

Item No.	Description	Type 1	Type 2
186	Cutting Arm	318711-6	319234-7
215	Clutch Cover	452621-8	455559-6
252	Belt Cover	452698-3	455936-2
257	Hex. Nut M8 >Collared Hex.Nut M8	264081-0	264055-1

Figure 2
Figure 3
Figure 4
Figure 1

Above parts are completely interchangeable as a set.

Figure 1:
Type 1



Type 2



Figure 2: Ribs are added

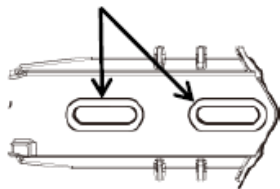


Figure 3:

Make Holes bigger for Type 2

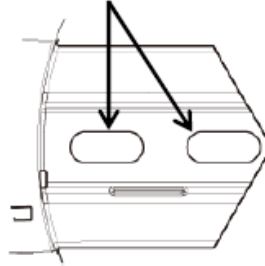
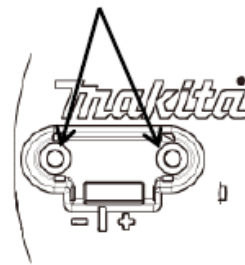


Figure 4:

Two Sleep are added



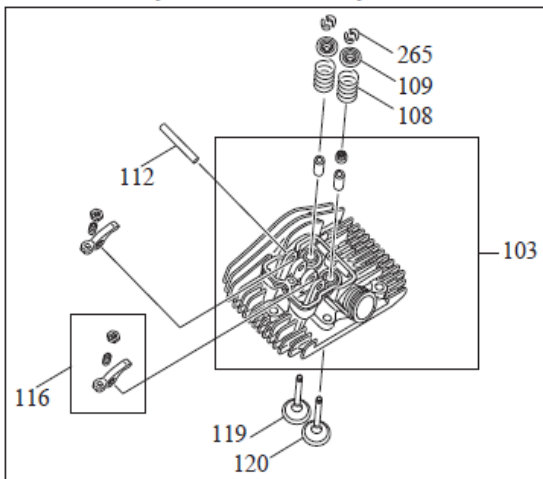
2. Changes on Cylinder Head Assembly

(TI#Y07196) (T/I# B2909)

Item No.	Description	Type 1	Type 2	Type 2
103	Cylinder Head Assembly	125946-0	135752-5	135785-0
Inc.	Cylinder Head Assy	-	125946-0	123772-1
Inc.		Item No. 104-106	104-106, 108,109,112,116,119,120,265	
104	Cylinder Head Com. (Component of 103)		140928-1	144051-4
110	Rocker Cover Gasket		331966-6	161301-2

Components of the Cylinder Head Assembly are completely interchangeable as a set.

The components of
New Cylinder head assembly 135752-5




Item No.	Description	Q'ty
103	Cylinder head assembly	1
108	Compression spring 11	2
109	Retainer	2
112	Pin 5	1
116	Rocker arm assembly	2
119	Exhaust valve	1
120	Intake valve	1
265	Cotter	4

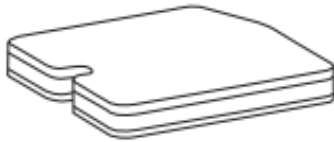
3. Changes on Prefilter

(TI#B4502)

Item No.	Description	Type 1	Type 2
A04	Pre Filter	195945-6	198172-4


Type 1

 2 cycle engine oil
for lubrication



Three layers

Type 2

 2 cycle engine oil/ 4 cycle engine oil
for lubrication



Single layer

